

Clarke®

CONTRACTOR®



PETROL COMPACTOR PLATE

MODEL NO: CPCP1

PART NO: 3402051

OPERATION & MAINTENANCE INSTRUCTIONS

UK
CA | CE



ORIGINAL INSTRUCTIONS

DL0124

INTRODUCTION

Thank you for purchasing this CLARKE Petrol Compactor Plate.

Before attempting to use this product, please read this manual thoroughly and follow the instructions carefully. In doing so you will ensure the safety of yourself and that of others around you, and you can look forward to your purchase giving you long and satisfactory service.

GUARANTEE

This product is guaranteed against faulty manufacture for a period of 12 months from the date of purchase. Please keep your receipt which will be required as proof of purchase.

This guarantee is invalid if the product is found to have been abused or tampered with in any way, or not used for the purpose for which it was intended. Faulty goods should be returned to their place of purchase, no product can be returned to us without prior permission.

This guarantee does not effect your statutory rights.

ENVIRONMENTAL RECYCLING POLICY

One of the most damaging sources of environmental pollution is oil and petrol products. Never throw away unused petrol or used oil with domestic refuse or flush it down a sink or drain. Collect any oil or petrol in a leak proof container and take it to your local waste disposal site.

Should any components become completely unserviceable and require disposal, plastic and metal components should be disposed for re-cycling according to local regulations.

GENERAL SAFETY PRECAUTIONS














1. **ALWAYS** keep the work area well lit.
2. **ALWAYS** keep children and bystanders away while operating this machine. Distractions can cause loss of control.
3. **ALWAYS** stay alert & **DO NOT** use a machine while you are tired or under the influence of medication or alcohol.
4. **ALWAYS** wear suitable protective clothing and eye protection including safety boots, anti-vibration gloves, ear defenders & approved impact resistant safety glasses. (Eye glasses are **NOT** safety glasses).
5. **NEVER** over-reach. Keep your proper footing and balance at all times to enable better control of the machine in unexpected situations.
6. **NEVER** stand on the machine. Injury could occur from a fall.
7. **ALWAYS** store machines out of reach of children.
8. **ALWAYS** read and become familiar with the entire operating manual.
9. **NEVER** allow persons unfamiliar with this manual to operate this machine.
10. **ALWAYS** maintain the machine with care and keep it clean for the best and safest performance.
11. **NEVER** use this machine if any part is damaged. Have it inspected and repaired by a competent technician.
12. **NEVER** modify this machine in any way. Use it only for the purpose for which it is designed.
13. **ALWAYS** turn off the machine when not in use, and before carrying out any maintenance.
14. **NEVER** leave the machine running unattended or leave the machine until it comes to a complete stop.
15. **NEVER** start or run the engine inside an enclosed area. Operate this machine only in a well ventilated area.

SPECIFIC SAFETY RULES

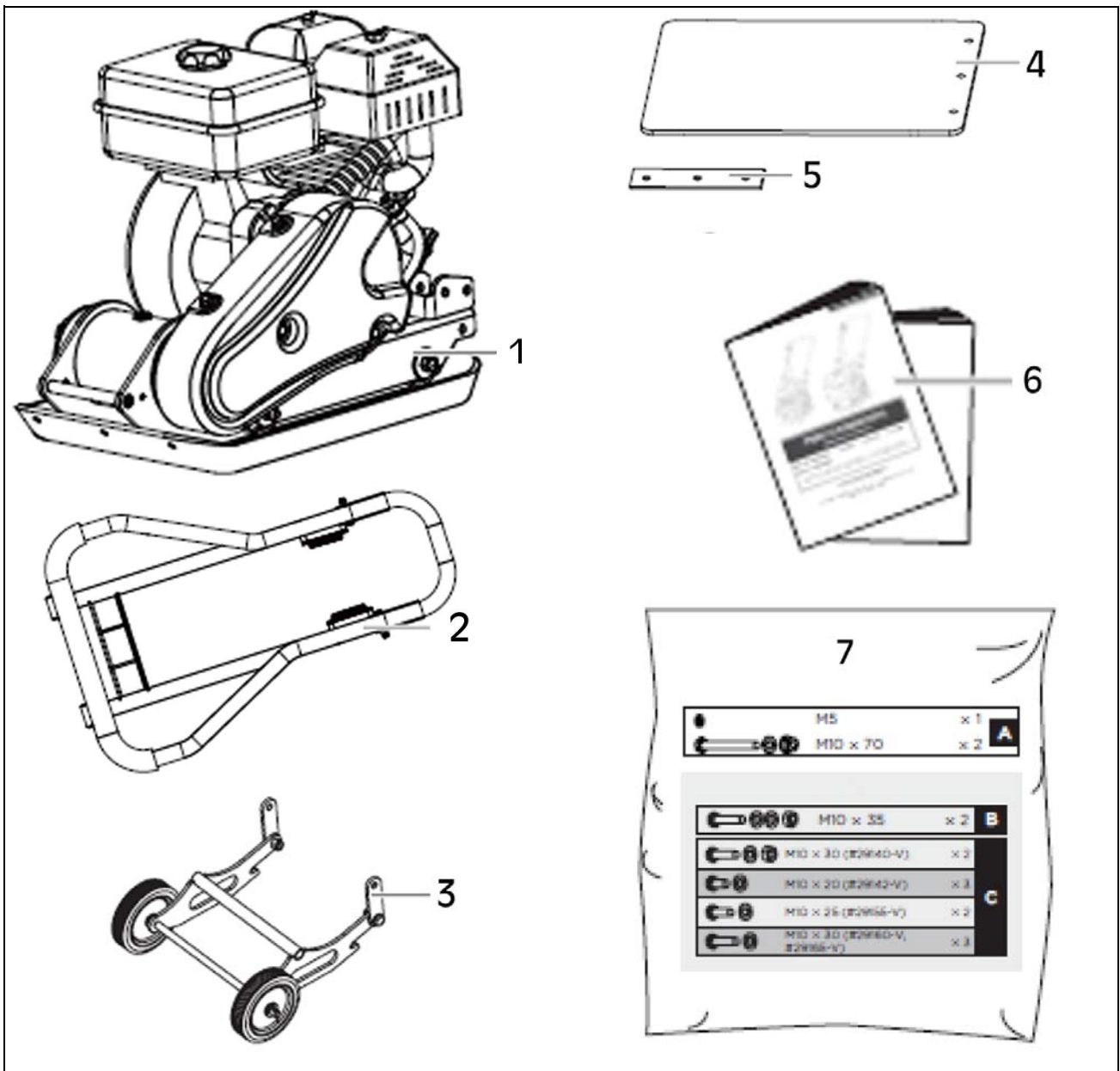
1. **AVOID** injury. Keep hands and feet away from the base plate.
2. **ALWAYS** wear protective footwear when working with this machine.
3. **ALWAYS** operate the machine from behind. **NEVER** pass or stand in front of the machine when the engine is running.

4. **NEVER** place tools or any other item under the base plate.
5. If the machine strikes a foreign object, stop the engine and thoroughly inspect the machine for any damage. Repair the damage before restarting and operating the machine.
6. **DO NOT** overload the machine capacity by compacting too deep in a single pass or a too fast a rate.
7. **NEVER** operate the machine at high transport speeds on hard or slippery surfaces.
8. Exercise extreme caution when operating on or crossing gravel drives, walks or roads. Stay alert for hidden dangers or traffic.
9. **DO NOT** allow persons to sit or ride on the compactor plate.
10. **NEVER** leave the operating position and leave the plate compactor unattended when the engine is running.
11. **ALWAYS** stop the engine when compacting work is delayed or when moving from one location to another.
12. Stay away from the edges of ditches and avoid actions that may cause the plate compactor to topple over.
13. When transporting the compactor plate, **ALWAYS** ascend slopes carefully, in a direct path and in reverse to prevent the plate compactor from toppling over onto the operator.
14. **ALWAYS** park the unit on a firm and level surface and shut the engine off.
15. **REDUCE** exposure to vibration and repetitive strain injury (RSI). Limit the duration of operation and take periodic breaks to minimise repetition and rest your hands and arms. Reduce the speed and force in which you undertake the repetitive movement. A full health and safety risk assessment and method statement (RAMS) should be undertaken when using this machine, **NOTE:** Vibration = 17.5 m/s².

SAFETY SYMBOLS

	Read instruction manuals before use.		Wear eye protection.
	Wear anti-vibration gloves.		Wear protective footwear.
	Wear ear protection.		DO NOT remove or tamper with protection and safety devices.
	Warning: Keep away from rotating parts.		Keep bystanders at a safe distance.
	Warning: Asphyxiating Atmosphere. Only use outdoors or in a well ventilated area.		Warning: Hot surfaces
	Use extreme caution when handling fuels.		Warning: High Vibration Risk
	Warning: High Noise Level		

UNPACKING



Remove all components from the packing case and lay them out so that they can be identified and checked for any possible damage during transit. Should any component be found to be damaged or missing, please contact your CLARKE dealer immediately. Check the components against the following list.

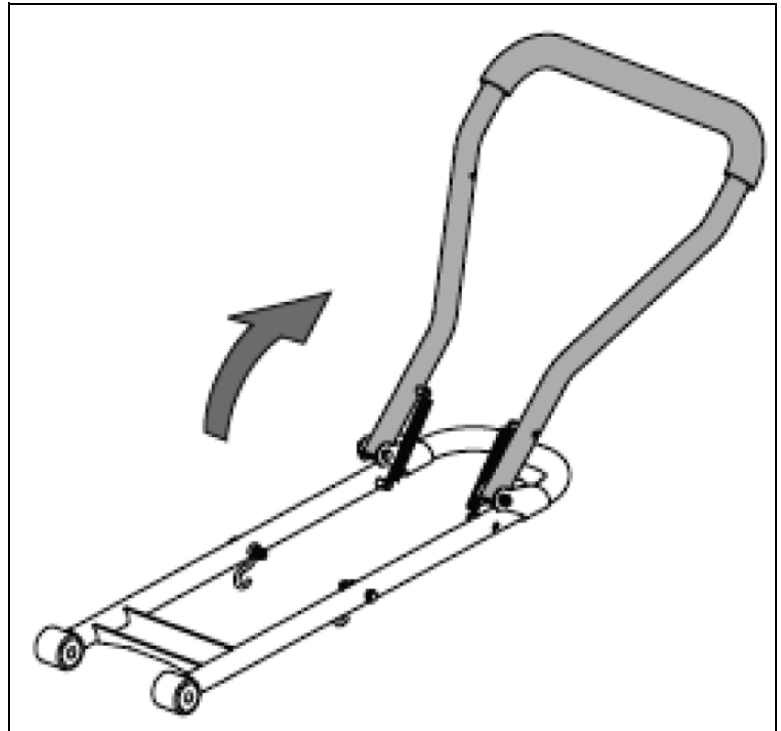
1. Compactor Plate Assembly	4. Paving Pad
2. Handle Assembly	5. Clamp Plate
3. Folding Wheel Assembly	6. Engine Manual
7. Hardware Bag:	
Handle Assembly (A): M5 Washer x 1, M10 x 70 Bolt, Nut & Washer x 2.	
Folding Wheels Assembly (B): M10 x 35 Bolt, Nut & Washers x 2.	
Paving Pad Assembly (C): M10 x 30 Bolt, Nut & Washer x 2.	

ASSEMBLY

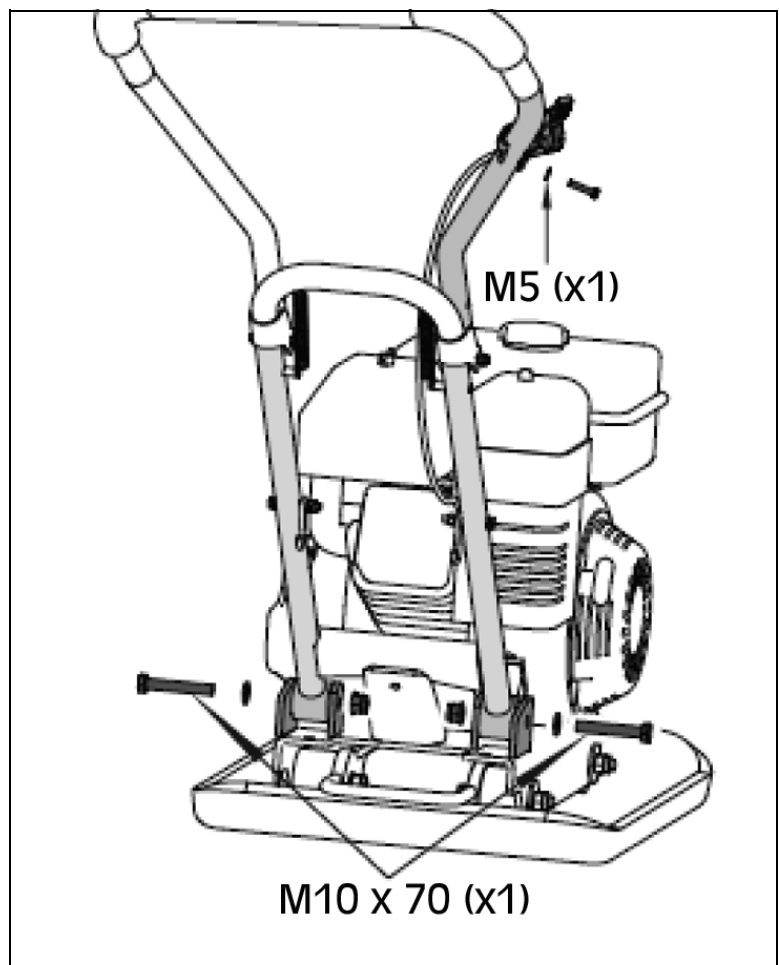
HANDLE ASSEMBLY

(Hardware Bag A)

1. Unfold the handle as shown.



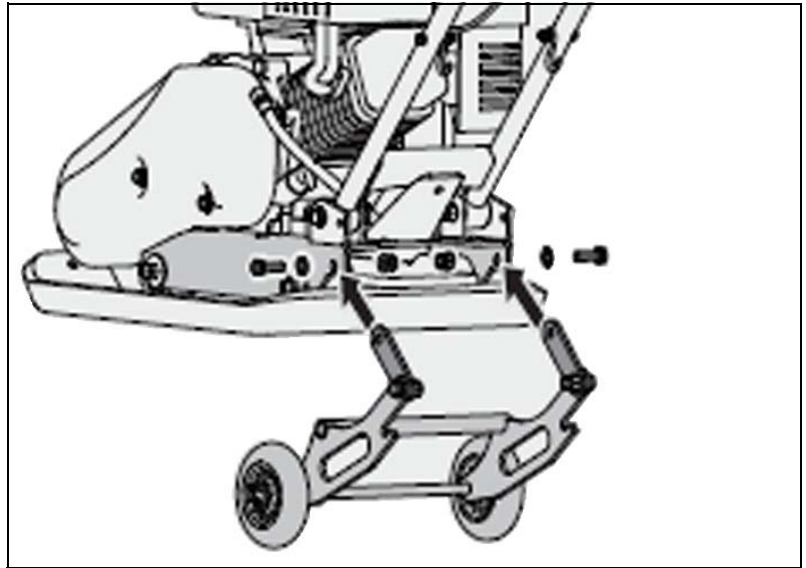
2. Mount the handle as shown. Slot the handle ends into the channels provided on the engine deck. Place flat washers followed by the hex bolts at the outside and tighten with lock nuts on the inside.
3. Unscrew the bolt from the throttle control. Secure the throttle control onto the upper handle with a flat washer and the bolt that you have just taken off the throttle.
4. Fasten the throttle control cable to the handle using cable fasteners, making sure not to hinder the folding mechanism.



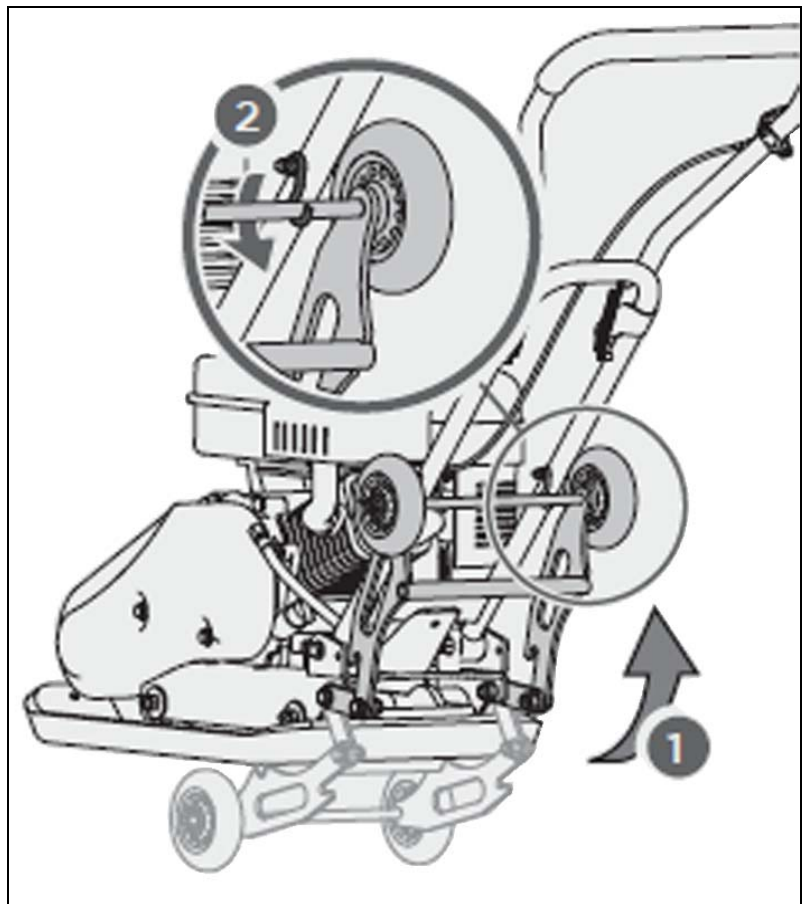
FOLDING WHEELS ASSEMBLY

(Hardware Bag B)

1. Line up the holes in the link plates and engine deck, as shown. Slide the bolts and washers through the holes from outside of the machine, then screw the lock nuts from the other side and tighten.



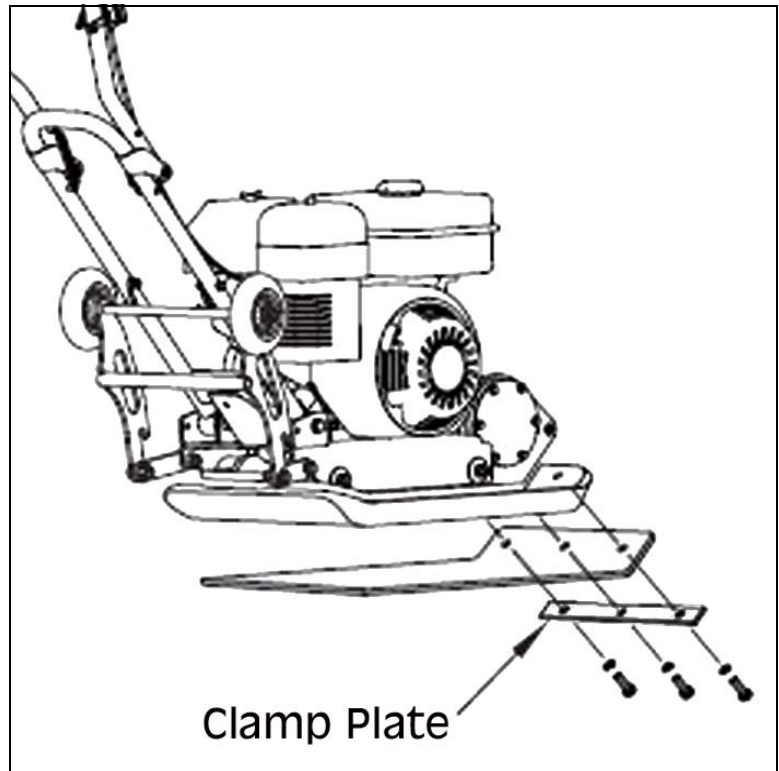
2. Before compacting, fold up the wheel assembly (1) and hang the assembly on the hooks on the side of the handle (2), as shown.



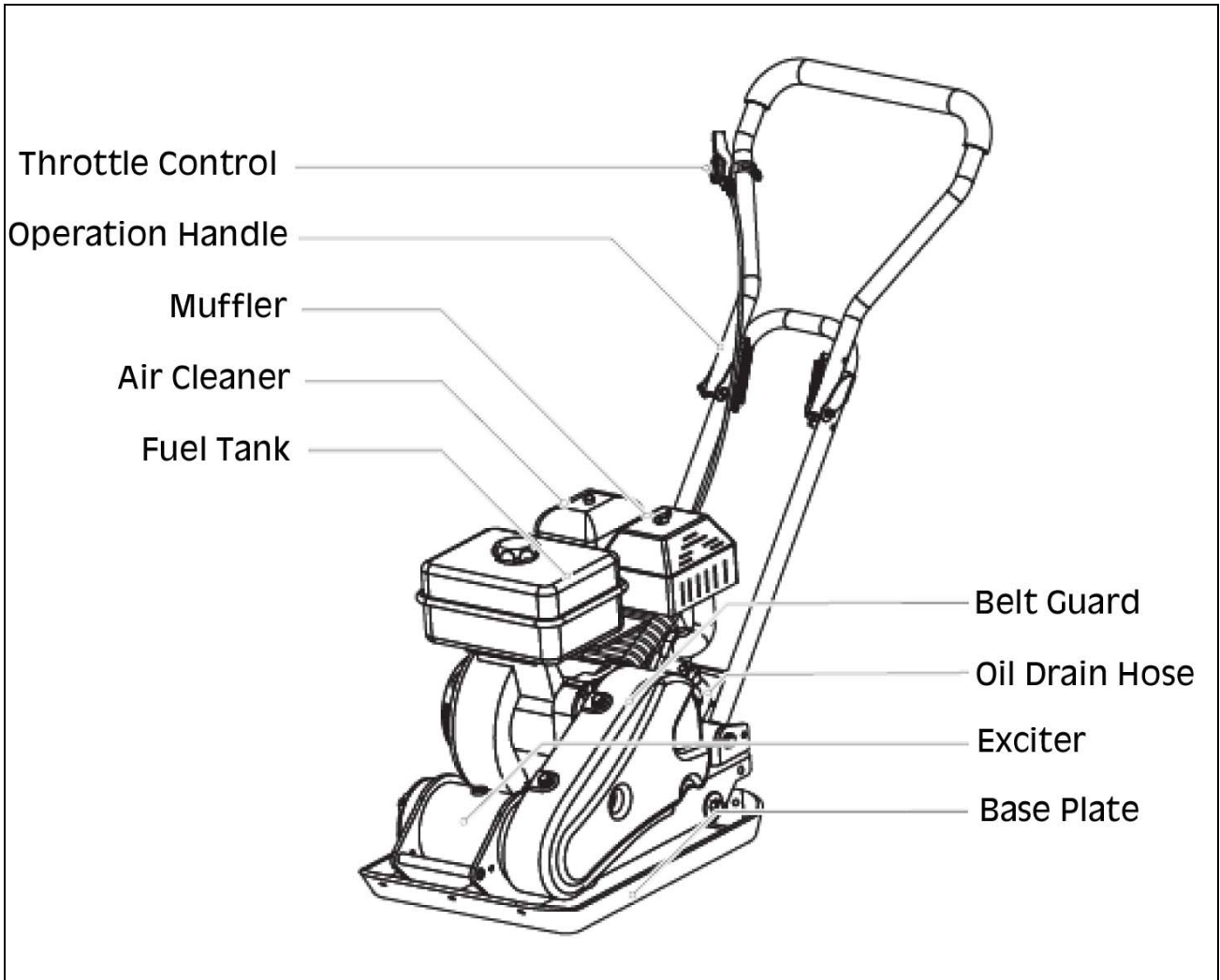
PAVING PAD ASSEMBLY

(Hardware Bag C)

1. Attach the paving pad onto the base plate as shown. Align the holes in the base plate, paving pad and clamp plate and secure with bolts, washers and lock nuts, as shown.



FEATURES AND CONTROLS



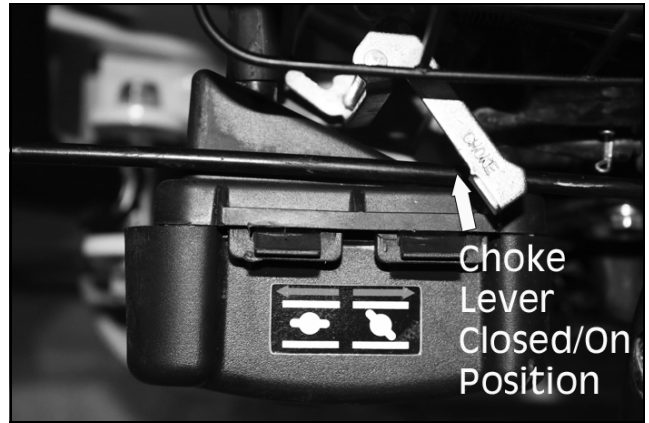
ENGINE SWITCH

The engine switch, located on the front of the machine, enables and disables the ignition system. The engine switch must be in the ON position for the engine to run. Turning the engine switch to the OFF position stops the engine.



CHOKE LEVER

The choke lever opens and closes the choke valve in the carburetor. The CLOSED/ON position enriches the fuel mixture for starting a cold engine. The OPEN/OFF position provides the correct fuel mixture for operation after starting, and for restarting a warm engine. Some engine applications use a remotely mounted choke control rather than the engine mounted choke lever.

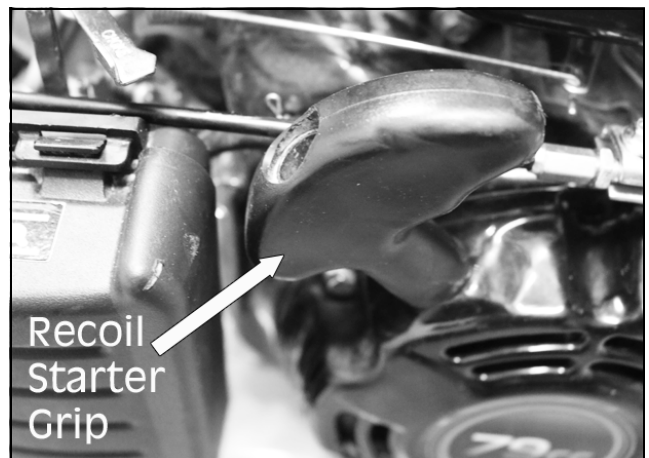


THROTTLE CONTROL

The throttle lever controls the engine speed. Moving the throttle lever makes the engine run faster or slower.

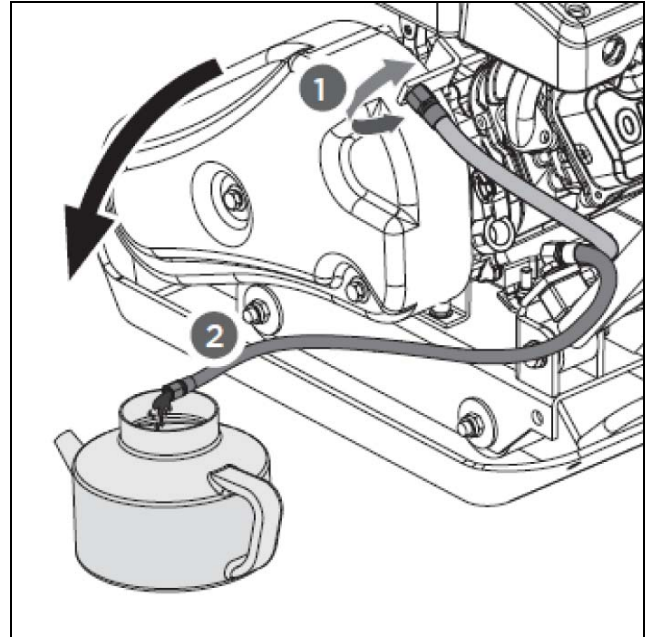
RECOIL STARTER GRIP

Pulling the starter grip operates the recoil starter to crank the engine.



OIL DRAIN HOSE

Running the engine with dirty oil can cause premature engine wear and failure. Changing oil regularly is extremely important. The flexible oil drain hose is equipped to drain the oil into an appropriate receptacle.



EXCITER

An eccentric weight mounted on the exciter shaft contained within the exciter housing is driven at high speed by a clutch and belt drive system. This high speed shaft revolution causes the rapid lifting and downward ramming motion of the machine as well as imparting a forward motion.

OPERATION

ADDING ENGINE OIL

NOTE: No engine oil has been supplied within the machine for shipping. Add oil (Max: 0.35 Litre) according to the Engine Manual.

NOTE: Clarke SAE10W/30 4 Stroke Engine Oil. Part No.: 3050845

ADDING FUEL

Fill the fuel tank (Max: 1.6 Litre) as instructed in the separate engine manual packed with this machine, using E10 Petrol.

NOTE: More detailed description of the engine operation and all related precautions and procedures can be found in the engine manual.

STARTING THE ENGINE

1. To start

- A COLD ENGINE: Move the choke lever to the CLOSED position.

- A WARM ENGINE: Move the choke lever to the OPEN position.
2. Move the throttle lever away from the SLOW position, about 1/3 of the way towards the FAST position.
 3. Turn the engine switch, located on the front of the machine, to the ON position.
 4. Pull the Recoil Starter Grip to start the machine.

OPERATING



WARNING: DO NOT operate the plate on concrete or extremely hard, dry, compacted surfaces. The plate will jump rather than vibrate and could damage the plate, engine and/or the surface.

1. After the engine has warmed up, pull the throttle lever to accelerate the engine speed. The plate will begin to vibrate and move forward.
2. The plate compactor is designed to run at an engine speed (engine take off shaft) of 3600 rpm (normally considered full throttle). Running the engine at lower rpm will result in a decrease of compaction force and lower travel speed. It will create excessive 'out of sync' vibrations resulting in poor compaction, maneuverability, excessive wear to the machine, and discomfort to the operator.
3. In operation, guide the machine but let the compactor do the work. Bearing down on the handle is unnecessary and causes the shock absorber to wear.
4. On level surfaces the compactor will move forward rapidly. On uneven surfaces or inclines, light forward pressure on the handle may be required to assist the compactor in moving forward.
5. The number of passes required to reach a desired compaction level will depend on the type and moisture content of the soil. Maximum soil compaction has been reached when excessive kickback is noticed.

NOTE: When using a compactor on newly laid asphalt, a water sprinkler kit is required to help prevent the bottom plate from adhering to the hot asphalt surface.

NOTE: When using the plate on paving stones, attach the pad to the bottom of the plate to prevent chipping or grinding the surface of the stones.

NOTE: While a certain amount of moisture in the soil is necessary, excessive moisture may cause soil particles to stick together and prevent good compaction. If the soil is extremely wet, allow it to dry somewhat before compacting.

NOTE: If the soil is too dry as to create dust clouds while operating the plate, some moisture should be added to the ground material to improve compacting. This will also reduce the air filter from clogging.

IDLE SPEED

Set the throttle control lever to its LOW position to reduce stress on the engine when compacting is not being performed. Lowering the engine speed to idle will help extend the life of the engine, as well as conserve fuel and reduce the noise level of the machine.

STOPPING THE ENGINE



WARNING: DO NOT MOVE THE CHOKE LEVER TO THE CLOSE POSITION TO STOP THE ENGINE. BACKFIRE OR ENGINE DAMAGE MAY OCCUR.

WARNING:

To stop the engine in an emergency, simply turn the engine switch to the OFF position. Under normal conditions, use the following procedure:

1. Move the throttle lever to the SLOW position.
2. Let the engine idle for one or two minutes.
3. Turn the engine switch to the OFF position.



CARE AND MAINTENANCE

Maintaining your compactor will ensure long life of the machine components.

PREVENTATIVE MAINTENANCE

1. Turn off the engine. Engine must be cool before any maintenance takes place.
2. Keep the engine's throttle lever in the SLOW position, and remove the spark plug wire from the spark plug and secure.

3. Inspect the general condition of the plate compactor. Check for loose screws, misalignment or binding of moving parts, cracked or broken parts, and any other condition that may affect its safe operation.
4. Remove all debris from the plate compactor with a soft brush, vacuum or compressed air (Always use safety glasses when using compressed air). Then use a premium quality lightweight machine oil to lubricate all moving parts.
5. Clean the bottom of the compactor base plate as soon as it begins to pick up soil being compacted. The unit can not do a good job if the bottom surface is not smooth and clean.
6. Replace the spark plug wire

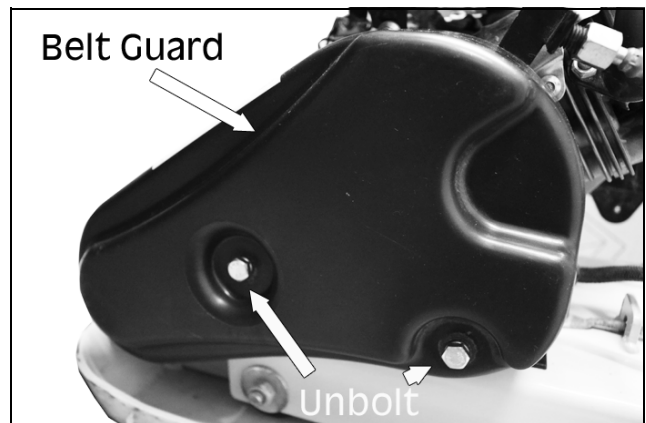


WARNING: NEVER USE A PRESSURE WASHER TO CLEAN THE COMPACTOR PLATE. WATER CAN PENETRATE TIGHT AREAS OF THE UNIT AND CAUSE DAMAGE TO SPINDLES, PULLEYS AND BEARINGS OF THE ENGINE. THE USE OF A PRESSURE WASHER WILL RESULT IN SHORTENING THE LIFE OF THE UNIT AND REDUCE SERVICEABILITY.

CHECKING THE V-BELT

To ensure optimum power transmission from the engine to the eccentric shaft, the V-Belt must be in good condition and operate under proper tension.

1. Turn off the engine. The engine must be cool before proceeding.
2. Remove the belt guard to access the V-Belt.
3. Check the condition of the V-Belt. If any of the V-Belt is cracked, frayed or grazed, it should be replaced as soon as convenient.
4. Check the V-Belt tension by squeezing the two sides together in the centre. The normal deflection on each side should be 9mm (3/8") to 13mm (1/2") with moderate pressure from your thumb and finger.

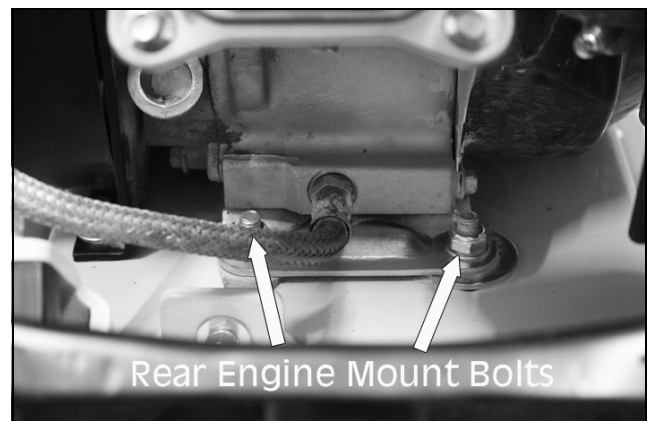
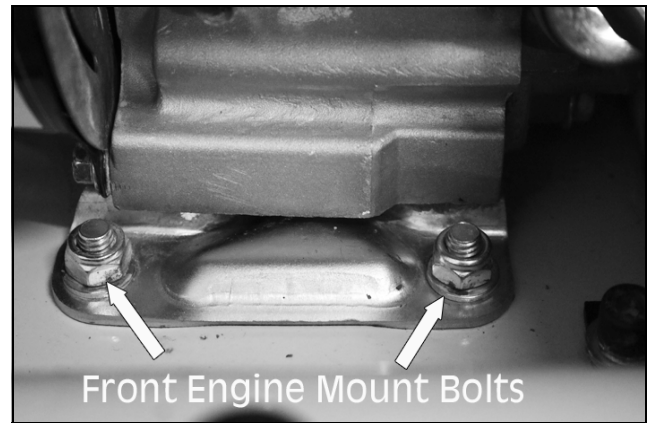


NOTE: On new machines or after installing a new belt, check the belt tension after the first 20 hours of operation. Check and adjust the belt every 50 hours thereafter.

TENSIONING THE V-BELT

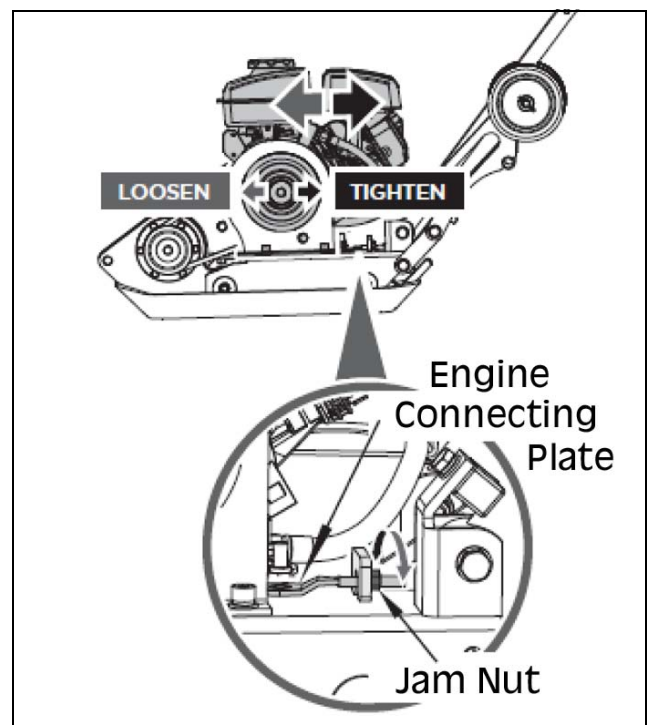
Proper belt tension is critical to good performance. Proper adjustment will assure long belt life. Too much or too little belt tension will cause premature belt failure.

1. Loosen the 4 engine mount bolts (**DO NOT** remove), only enough to move the engine forward.

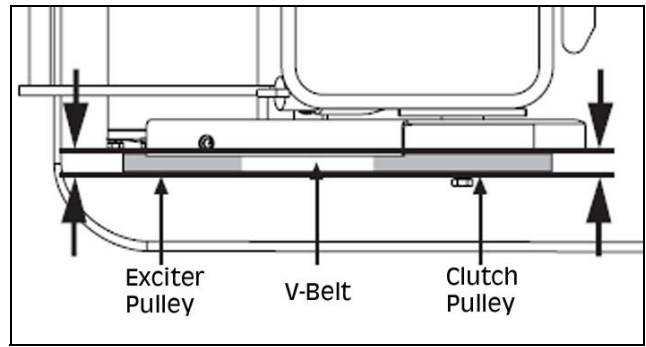


2. Loosen the jam nut as shown, leaving enough space between the nut and bracket.
3. Push the engine towards the back of the plate by turning the adjustment bolts to remove any slack in the V-Belt.

NOTE: If the adjustment bolts have no more adjustment left, the belt may have to be replaced.

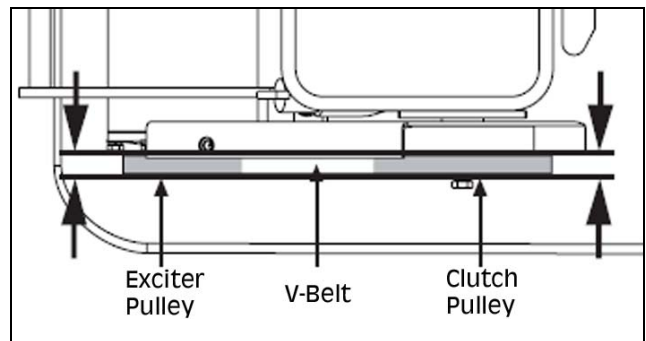


4. When adjusting the belt, make sure the clutch pulley is in alignment with the exciter pulley, as shown.
5. When the V-Belt tension is correct, tighten the jam nut against the bracket.
6. Tighten the engine mount bolts.
7. Replace the belt guard.



REPLACING THE V-BELT

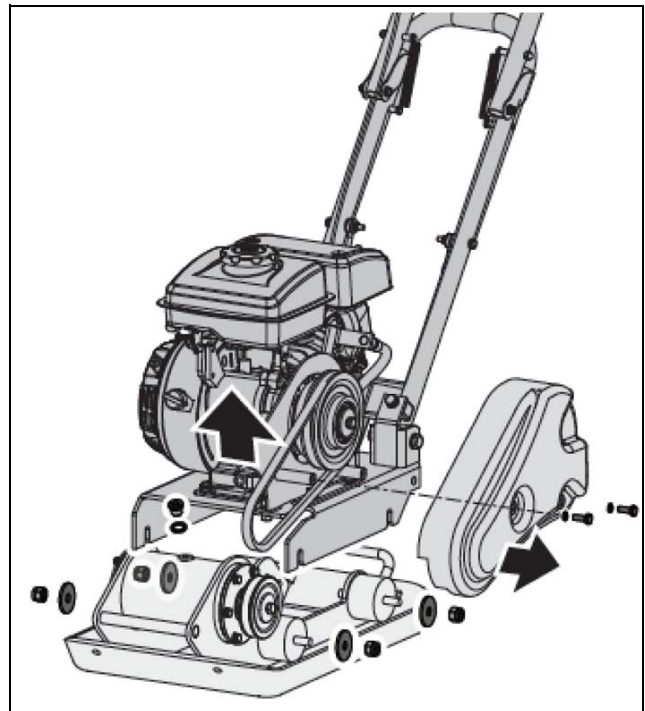
1. Loosen the 4 engine mount bolts (**DO NOT** remove), only enough to move the engine forward.
2. Loosen the jam nut as shown above, leaving enough space between the nut and bracket.
3. Slide the engine toward the front of the plate and slip the old V-Belt off the pulleys and install the new V-Belt in its place.
4. Move the engine back.
5. When the the V-Belt tension is correct and the pulleys are aligned, tighten the jam nut and the engine mount bolts.
6. Replace the belt guard.



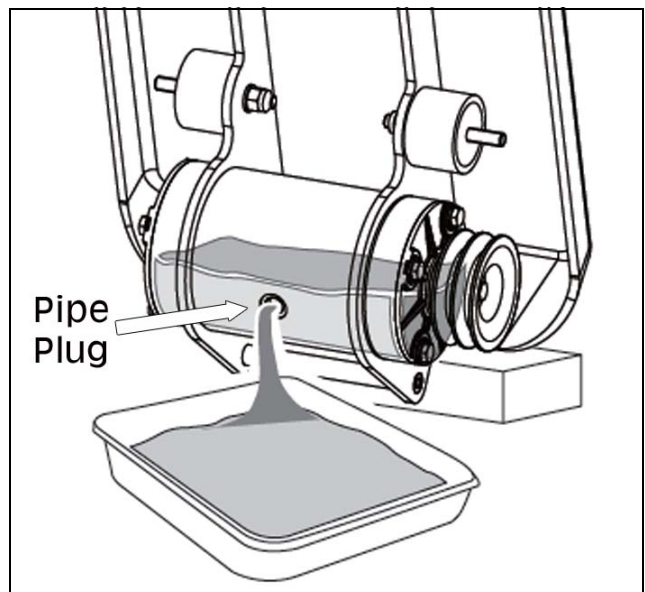
EXCITER LUBRICATION

The exciter housing is pre-serviced using Automatic Transmission Fluid e.g. DEXTRON III, MERCON, EXXON NUTO H-32 or equivalent. Change the fluid after 200 hours of operation.

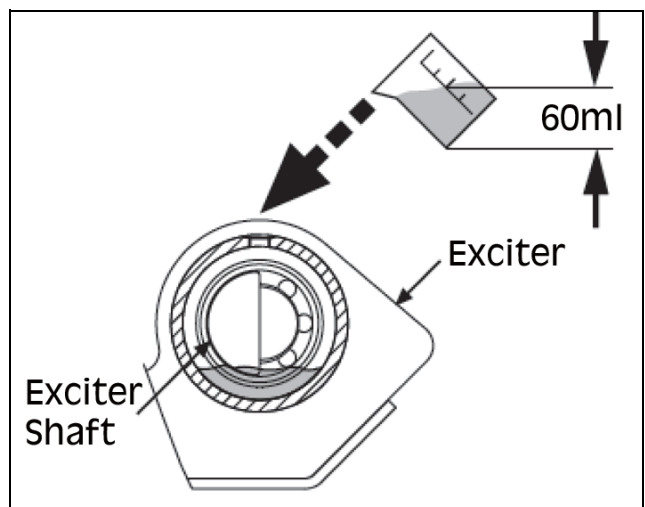
1. Turn off the engine and let the exciter cool before changing the exciter oil.
2. Remove the belt guard and V-Belt.
3. Remove the bolts that hold the deck to the housing.
4. Lift entire deck with engine from the housing, as shown.



5. Remove the pipe plug from the top of the exciter housing. Tilt the housing upside down so the oil can drain from the exciter. Examine the oil for metal chips as a precaution of future problems.
6. Return the plate housing to the upright position.



7. Fill the exciter housing with 60ml of transmission fluid oil.
8. Apply pipe sealant to the pipe plug and reinstall into the top of the exciter housing.
9. Reinstall the deck, V-Belt and belt guard.



ENGINE MAINTENANCE

Refer to the engine manual that is included with the compactor plate for the relevant information on engine maintenance. Your engine manual provides detailed information for performing this task.

STORAGE & TRANSPORTING

STORAGE

If the compactor plate will not be used for a period longer than 30 days, follow the steps below to prepare the unit for storage.

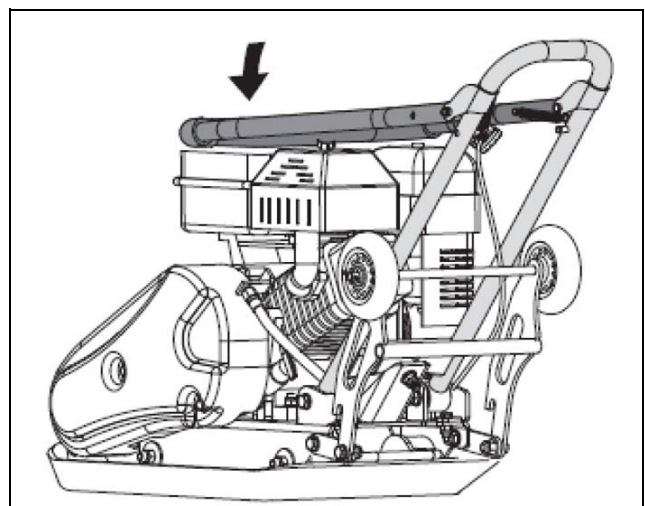
1. Drain the fuel tank completely. Stored fuel containing ethanol or MTBE can start to go stale in 30 days. Stale fuel has a high gum content and can clog the carburetor and restrict fuel flow.
2. Start the engine and allow it to run until it stops. This ensures no fuel is left in the carburetor. This will also help prevent deposits from forming inside the carburetor and possible engine damage.
3. While the engine is still warm, drain the oil from the engine. refill with fresh oil of the grade recommended in the engine manual.
4. Allow the engine to cool. Remove the spark plug and put 60ml of SAE-30 oil into the cylinder. Pull the starter rope slowly to distribute the oil. Replace the spark plug.

NOTE: Remove the spark plug and drain all of the oil from the cylinder before attempting to start the unit after storage.

5. Use a clean cloth to clean off the outside of the compactor and keep the air vents free of obstructions.

NOTE: DO NOT use strong detergents or petroleum based cleaners when cleaning plastic parts. Chemicals can damage plastics.

6. Pull up the spring bolt and fold up the wheel bracket.
7. Carefully fold the upper handle down. **DO NOT** allow the control cable to become pinched or bent.
8. Store the plate compactor in an upright position in a clean, dry space that has good ventilation.



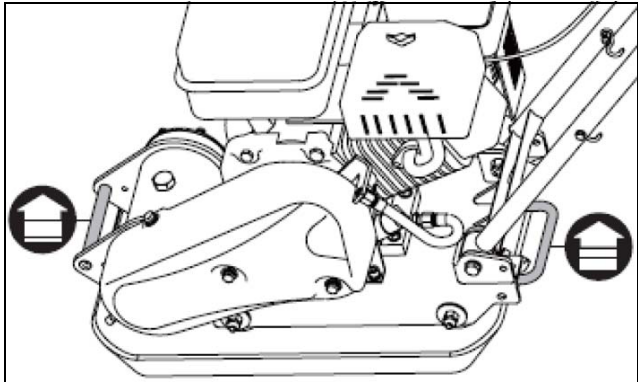
LIFTING & TRANSPORTATION

NOTE: To avoid burns or fire hazard, let engine cool before lifting, transporting and storing the unit.

NOTE: This unit weights 50kg, it is recommended that 2 persons lift the machine, via the lift handles, as shown.

NOTE: The unit must be transported in the upright position to prevent fuel from spilling.

DO NOT lay the machine on its side or top.



NOTE: When transporting, secure or tie down the unit using the lift handles to prevent it from sliding or tipping over.

SPECIFICATION

Model No	CPCP1
Plate Size (L x W x D)	495mm x 320mm x 6mm
Centrifugal Force	8200 N
Exciter Speed	5900VPM
Compaction Depth	200mm
Travel Speed	25m/min
Engine Power	2HP, 1.5Kw
Engine Displacement	79cc
Fuel Tank Capacity (E10 Petrol)	1.6 Litre
Fuel Consumption	0.68 L/H
Run Time @ 75% Rated Load	2.3 Hours
Engine Oil Capacity (SAE10W/30)	0.35 Litre
Dimensions (Folded): (D x W x H)	890mm x 315mm x 570mm
Dimensions (Unfolded): (D x W x H)	1110mm x 315mm x 820mm
Weight (without fuel & oil)	50 kg
IP Rating	IP44D
Vibration	17.5 m/s ²
Uncertainty Factor K	3 m/s ²
Sound Pressure level	99.4 dB Lpa
Sound Power Level	99.4 dB LwA
Guaranteed Sound Power Level	104 dB LwA*
Uncertainty Factor K	3 dB

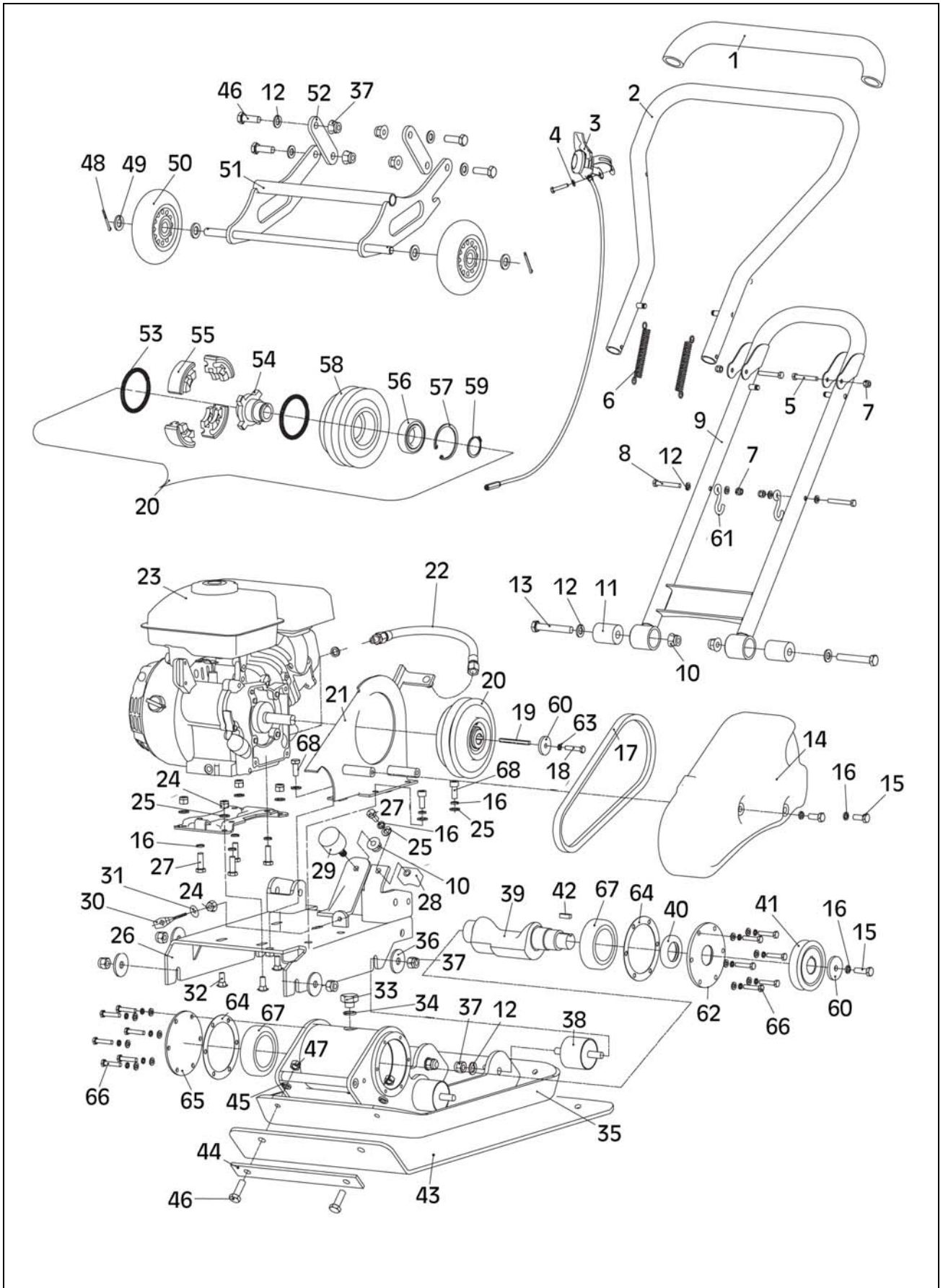
* = **Caution:** Registered guaranteed sound power level is just for the engine. Sound power levels maybe higher depending on the surface the machine is working on.

TROUBLESHOOTING

PROBLEM	POSSIBLE CAUSE	SOLUTION
Engine fails to start	1. Spark plug wire is disconnected	1. Attach spark plug wire securely to the spark plug
	2. Out of fuel or fuel is stale	2. Fill with clean fresh petrol
	3. Throttle control lever not in correct starting position	3. Move throttle control lever to the START position
	4. Choke not in ON position	4. Throttle must be positioned at choke for a cold start
	5. Blocked fuel line	5. Clean the fuel line
	6. Fouled spark plug	6. Clean, adjust gap or replace
	7. Engine carburettor flooding	7. Wait a few minutes to restart, but DO NOT prime
Engine runs erratically	1. Spark plug wire loose	1. Connect and tighten the spark plug wire
	2. Unit running on CHOKE	2. Move choke lever to the OFF position
	3. Blocked fuel line or stale fuel	3. Clean the fuel line. Fill tank with clean fresh petrol
	4. Vent plugged	4. Clear vent
	5. Water or dirt in fuel system	5. Drain fuel tank. Refill with fresh petrol
	6. Dirty air cleaner	6. Clean or replace air cleaner

PROBLEM	POSSIBLE CAUSE	SOLUTION
Engine overheats	1. Engine oil level low	1.Fill crankcase with proper oil
	2. Dirty air cleaner	2.Clean air cleaner
	3. Air flow restricted	3.Remove blower housing and clean
Engine will not stop when throttle control is positioned at stop, or engine speed does not increase properly when throttle control is adjusted	1. Debris interfering with throttle linkage	1. Clean dirt and debris away
Compactor is difficult to control when pounding (machine lumps or lurches forward)	1. Too high engine speed on hard ground	1. Set the throttle lever at lower speed

COMPONENT PARTS



COMPONENT PARTS LIST

ID	DESCRIPTION
1	Handle Sleeve
2	Upper Handle
3	Throttle Control
4	Flat Washer 5
5	Bolt M6 x 50
6	Spring
7	Locknut M6
8	Bolt M6 x 40
9	Lower Handle
10	Locknut M10
11	Rubber Sleeve
12	Flat Washer 10
13	Bolt M10 x 65
14	Belt Cover
15	Bolt M8 x 20
16	Spring Washer 8
17	V Belt A660
18	Bolt M6 x 25
19	Flat Key 5 x 5 x35
20	Clutch Pulley
21	Belt Cover Mounting Plate
22	Oil Hose Assembly
23	Engine
24	Locknut M8
25	Flat Washer 8
26	Engine Mounting Bracket
27	Bolt M8 x 16
28	Handle Limit - Upper
29	Shock Absorbing Support
30	Pull Bolt
31	Large Washer 6
32	Bolts M8 x 20, M8 x 25
33	Air Plug Screw
34	Sealing Washers

ID	DESCRIPTION
35	Base Plate
36	Flat Washer 10
37	Locknut M10
38	Shock Absorbing Support
39	Eccentric Shaft
40	Sealing Ring
41	Pulley
42	Flat Washer B6 x 18
43	Rubber Pad
44	Clamp Plate
45	Spring Washer 10
46	Bolt M10 x 30
47	Nut
48	Cotter Pin 2.5 x 25
49	Flat Washer 12
50	Wheel
51	Bracket
52	Connecting Plate
53	Clutch Spring
54	Clutch Shaft
55	Clutch Lining
56	Bearing 6006-2RS
57	Circlip 55
58	Clutch Pulley
59	Circlip 30
60	Pressing Plate
61	Hook
62	Bearing End Cap - Left
63	Spring Washer 6
64	Gasket
65	Bearing End Cap - Right
66	Bolt M6 x 20
67	Bearing 6307
68	Screw M8 x 14

DECLARATIONS OF CONFORMITY-UK



DECLARATION OF CONFORMITY

This is an important document and should be retained.

We hereby declare that this product(s) complies with the following legislation: The following standards have been applied to the product(s):

- Noise Emission in the Environment by Equipment for use Outdoors Regulations 2001 *IEC 62321-3-1:2013, IEC 62321-7-1:2015, EN 61000-6-1:2007, EN ISO 3744:1995,*
- The Electromagnetic Compatibility Regulations 2016 *EN 55012:2007+A1, IEC 62321-1:2013, IEC 62321-2:2013, IEC 62321-4:2013,*
- The Supply of Machinery (Safety) Regulations 2008 *IEC 62321-5:2013, IEC 62321-6:2015, ISO 17075:2007, EN 62321:2009, EN 500-4:2011*
- The Non-Road Mobile Machinery (Type-Approval and Emission of Gaseous and Particulate Pollutants) Regulations 2018
- The Restriction of the Use of Certain Hazardous Substances in Electrical and Electronic Equipment Regulations 2012

The technical documentation required to demonstrate that the product(s) meet(s) the requirement(s) of the aforementioned legislation has been compiled and is available for inspection by the relevant enforcement authorities.

The UKCA mark was first applied in: 2023

Manufacturer:	Clarke International Ltd, Hemmell Street, Epping, Essex, CM16 4LG, United Kingdom	Notified Body:	TÜV SÜD Industrie Service GmbH (ID: 0036), Westendstraße 199, 80686 Munich, Germany
Product Description:	Compactor Plate	Assessment Procedure:	Annex VI of above noise legislation
Model Number(s):	CPCP1	Measured LWA:	99.4 dB
Serial/Batch Number:	Refer to product/packageing label	Guaranteed LWA:	104 dB
Document Holder:	Alan Pond	Signed:	 J/A Clarke Director
Date of Issue:	08/11/2023		

CPCP1 UKCA Clarke DOC 110823

Page 1 of 1

DECLARATIONS OF CONFORMITY-EU



DECLARATION OF CONFORMITY

This is an important document and should be retained.

We hereby declare that this product(s) complies with the following legislation: The following standards have been applied to the product(s):

2000/14/EC	Outdoor Noise Directive	IEC 62321-3-1:2013, IEC 62321-7-1:2015, EN 61000-6-1:2007, EN ISO 3744:1995,
2014/30/EU	Electromagnetic Compatibility Directive	EN 55012:2007+A1, IEC 62321-1:2013, IEC 62321-2:2013, IEC 62321-4:2013,
2006/42/EC	Machinery Directive	IEC 62321-5:2013, IEC 62321-6:2015, ISO 17075:2007, EN 62321-2009, EN 500-4:2011
2016/1628	Particulate Emission and Type-Approval for Non-Road Mobile Machinery Regulation	
2011/65/EU	Restriction of Hazardous Substances (RoHS) Directive	

The technical documentation required to demonstrate that the product(s) meet(s) the requirement(s) of the aforementioned legislation has been compiled and is available for inspection by the relevant enforcement authorities.

The CE mark was first applied in: 2023

Manufacturer:	Clarke International Ltd, Fitzwilliam Hall, Fitzwilliam Place, Dublin 2, Republic of Ireland	Notified Body:	TÜV SÜD Industrie Service GmbH (ID: 0036), Westendstraße 199, 80686 Munich, Germany
Product Description:	Compactor Plate	Assessment Procedure:	Annex VI of above noise legislation
Model Number(s):	CPGP1	Measured LWA:	99.4 dB
Serial/Batch Number:	Refer to product/packaging label	Guaranteed LWA:	104 dB
Document Holder:	Alan Pond	Signed:	 J.A. Clarke Director
Date of Issue:	08/11/2023		

CPGP1 CE Clarke DOC 110823

Page 1 of 1

A SELECTION FROM THE VAST RANGE OF

Clarke®

QUALITY PRODUCTS



AIR COMPRESSORS

From DIY to industrial, Plus air tools, spray guns and accessories.

GENERATORS

Prime duty or emergency standby for business, home and leisure.

POWER WASHERS

Hot and cold, electric and engine driven - we have what you need

WELDERS

Mig, Arc, Tig and Spot. From DIY to auto/industrial.

METALWORKING

Drills, grinders and saws for DIY and professional use.

WOODWORKING

Saws, sanders, lathes, mortisers and dust extraction.

HYDRAULICS

Cranes, body repair kits, transmission jacks for all types of workshop use.

WATER PUMPS

Submersible, electric and engine driven for DIY, agriculture and industry.

POWERTOOLS

Angle grinders, cordless drill sets, saws and sanders.

STARTERS/CHARGERS

All sizes for car and commercial use.

PARTS & SERVICE: 0208 988 7400

Parts Enquiries
Parts@clarkeinternational.com

Servicing & Technical Enquiries
Service@clarkeinternational.com

SALES: UK 01992 565333 or Export 00 44 (0)1992 565335

Clarke INTERNATIONAL Hemnall Street, Epping, Essex CM16 4LG
www.clarkeinternational.com